

## FOCO MYST TWO 800

HYB-30-104

### TECHNICAL SPECIFICATIONS

#### Features

Adjustable flame	Yes
Control	Remote Control
Remote control	Yes (included)
Thermostat	No

#### Key Specifications

Product type	See-through Built-in Opti-myst Fireplace
Brand	Foco
Use	Indoor
Warranty	2 years

#### Size & Weight

Length/Width	80 cm
Height	50 cm
Depth	40 cm
Weight	25 kg
Cable length	150 cm

#### Technical Specifications

Burner Model	Dimplex Optimyst Cassette 500
Fuel	Water and Electricity
Burning time up to	10 hours
Flame colours	1 colours
Capacity	2 Litres
Heat output (max)	No heat kW
Consumption	220 L/h

#### Material & Appearance

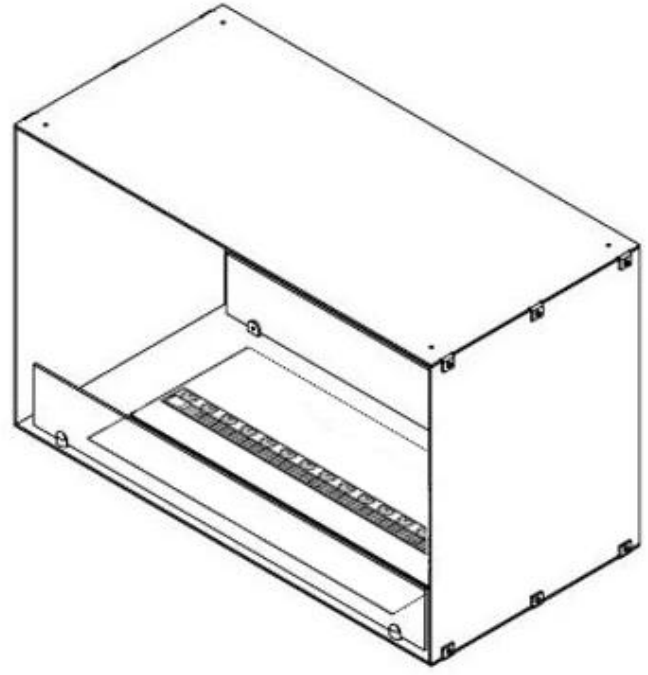
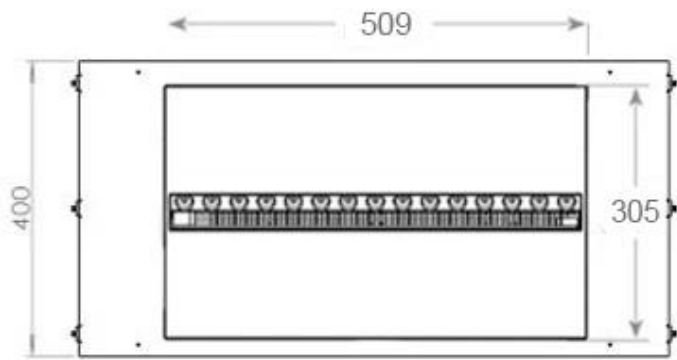
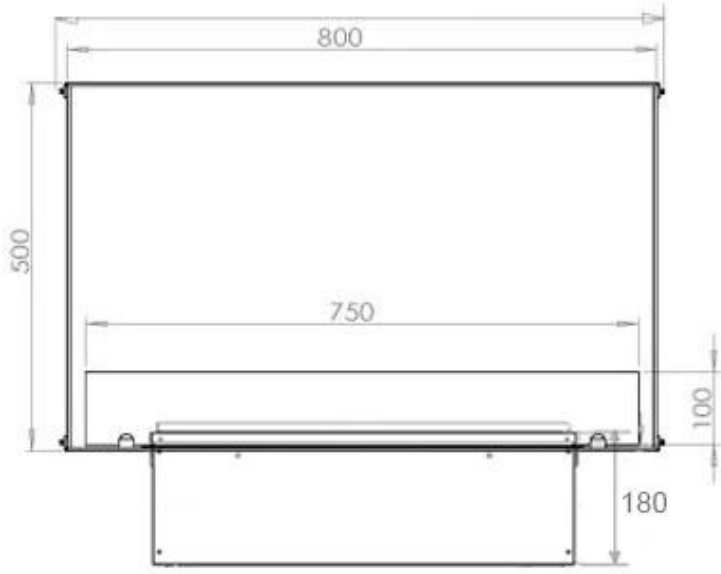
Material	Steel
Colour	Black
Finish	Matte
Interior (colour/material)	Black
Decoration	Wood (Additional)
Glas included	Yes
Glass Height	15 cm

#### Installation Details

Required ventilation opening	210
Flue/Chimney	Not Required







CASSETTE 500 MANUAL



TOP



FRONT



SIDE

CASSETTE 500 AUTOMATIC



TOP



FRONT



SIDE