

PLATINUM 300 SMART-HEAT GAS HEATER

OUT-90-201

Gas patio heater from Australian Bromic Heating. Absolutely top quality and a stylish design that will warm up your outdoor spaces.

TECHNICAL SPECIFICATIONS

Key Specifications

	Bromic
Brand	Bromic
Use	Outdoor
Warranty	2 years

Size & Weight

Length/Width	56 cm
Height	42,1 cm
Depth	40,3 cm

Technical Specifications

Type of Light	Ceramic Burner
Flame	No
Fuel	Gas
Fuel	Natural Gas
Fuel	LPG
Heating Area	15 m ²
Heat output (max)	7 kW

Features

Control	Remote Control
Remote control	Yes (add-on)
Timer	No

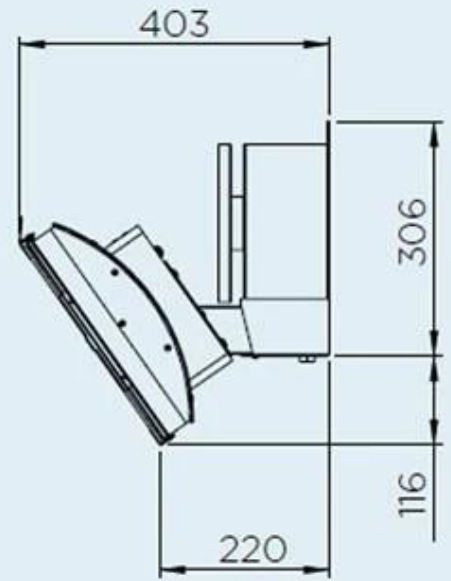
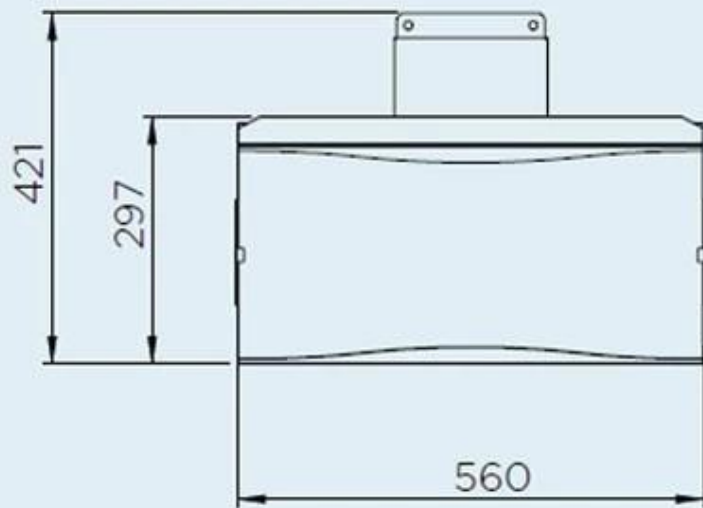
Material & Appearance

Material	Stainless Steel
Colour	Black
Glas included	No

Installation Details

Distance below	200 cm
Distance below	250 cm
Distance Sides	29,7 cm
Distance Above	110 cm
Power Requirements	No





WITH HEAT DEFLECTOR

