

# POWERFLAME 2

E621



TAGU

### 1. Fireplace construction

This is the main wall where the firebox will be installed. Start by building the frame with wood studs and covering it with plasterboard.

Once the wall is complete, you can finish it with decorative brick, stone, a smooth concrete finish, or simply paint it white or any color of your choice.



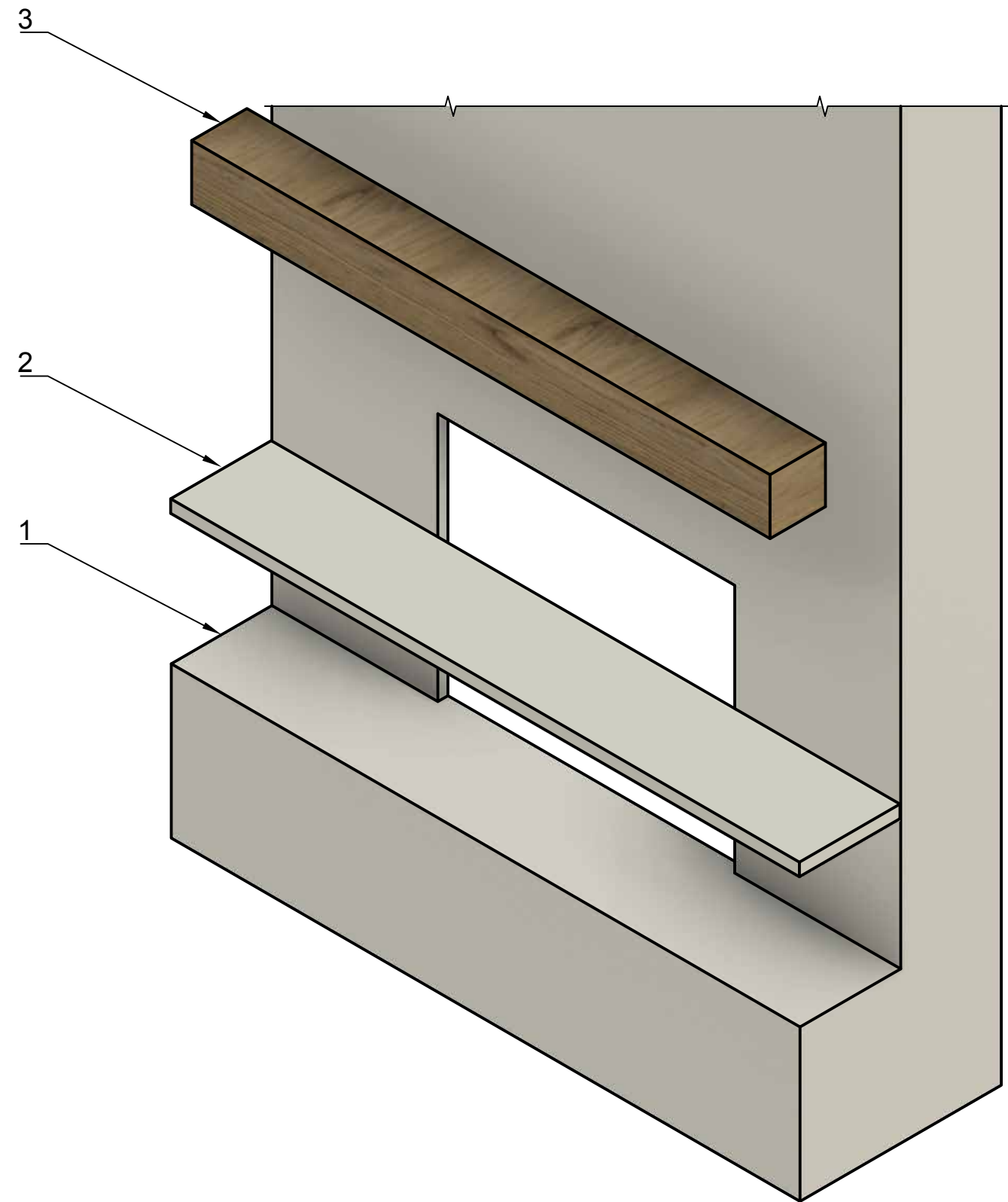
### 2. Front Ledge

The front ledge sits on top of the drywall structure and can be made of stone, marble, or wood. Choose a finish and color to match or complement the wall and the wood beam.

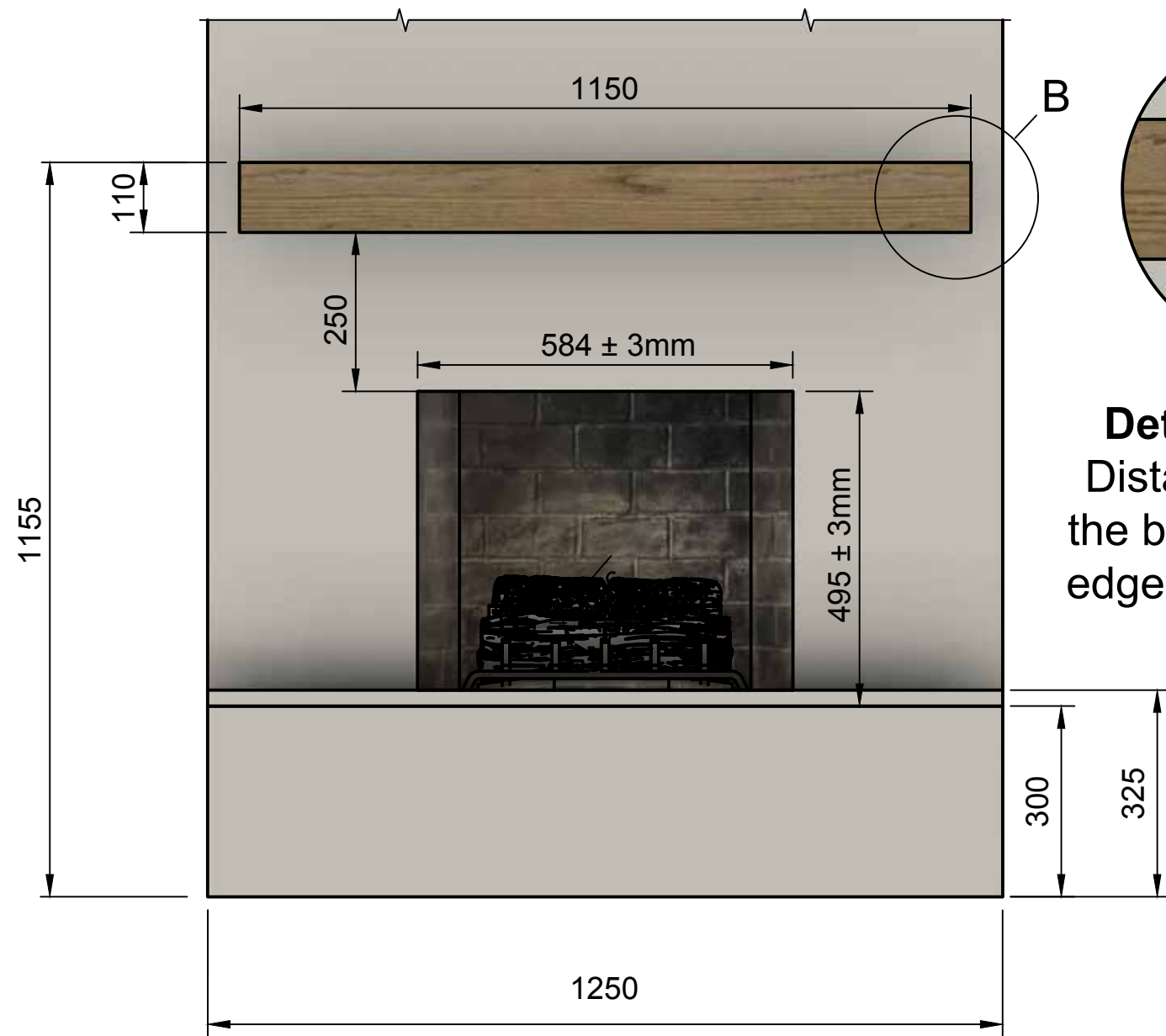


### 3. Wood beam

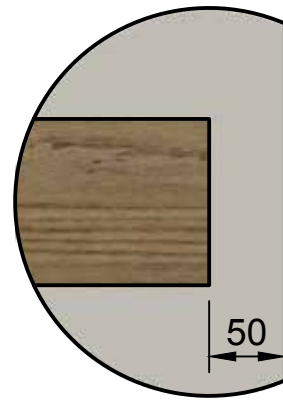
A wood beam serves as a decorative shelf. Solid wood with an antique look, like reclaimed barn wood, is ideal and adds an authentic look. The wood can be lighter or darker, depending on your preference. For the best effect, use a natural finish without paint;



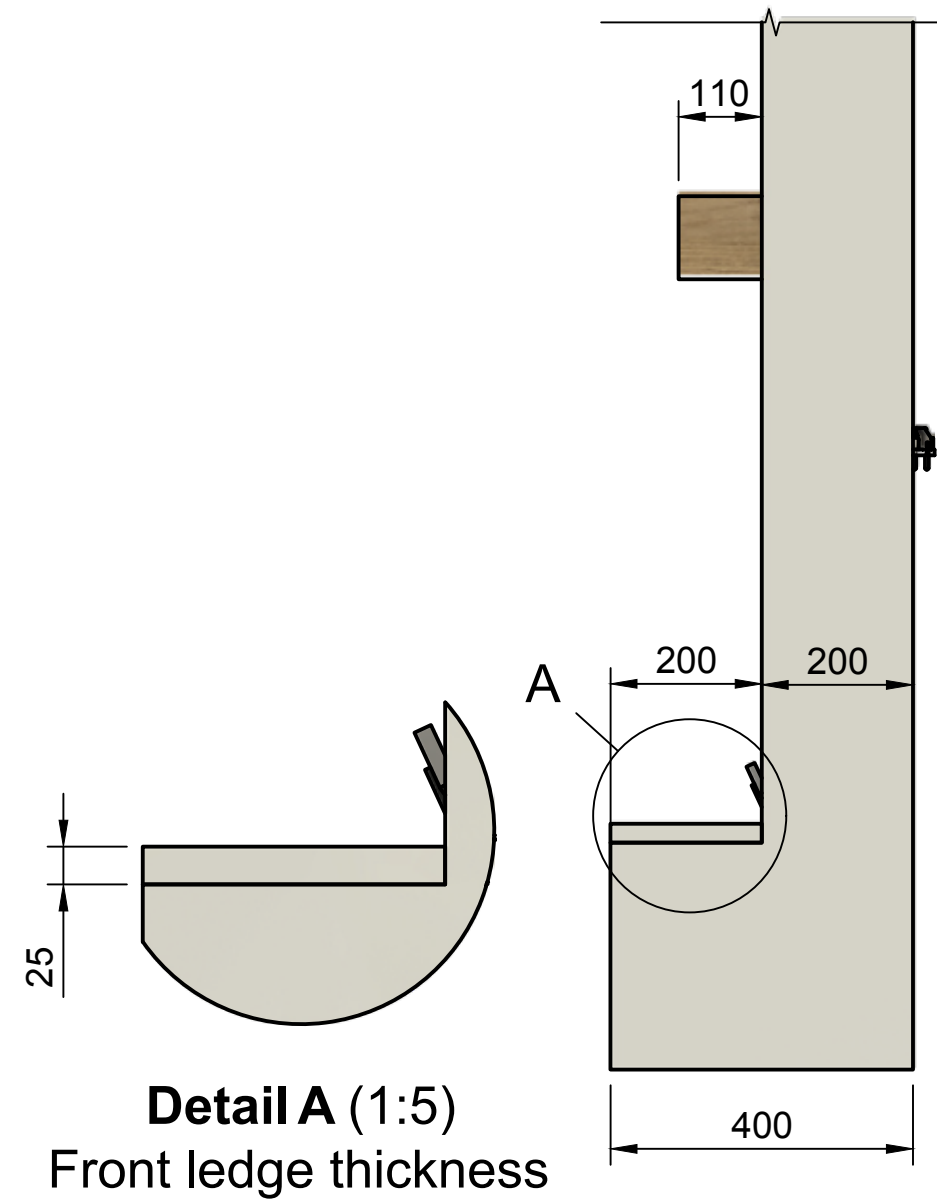
Front view



**Detail B (1:5)**  
Distance from the beam to the edge of the wall

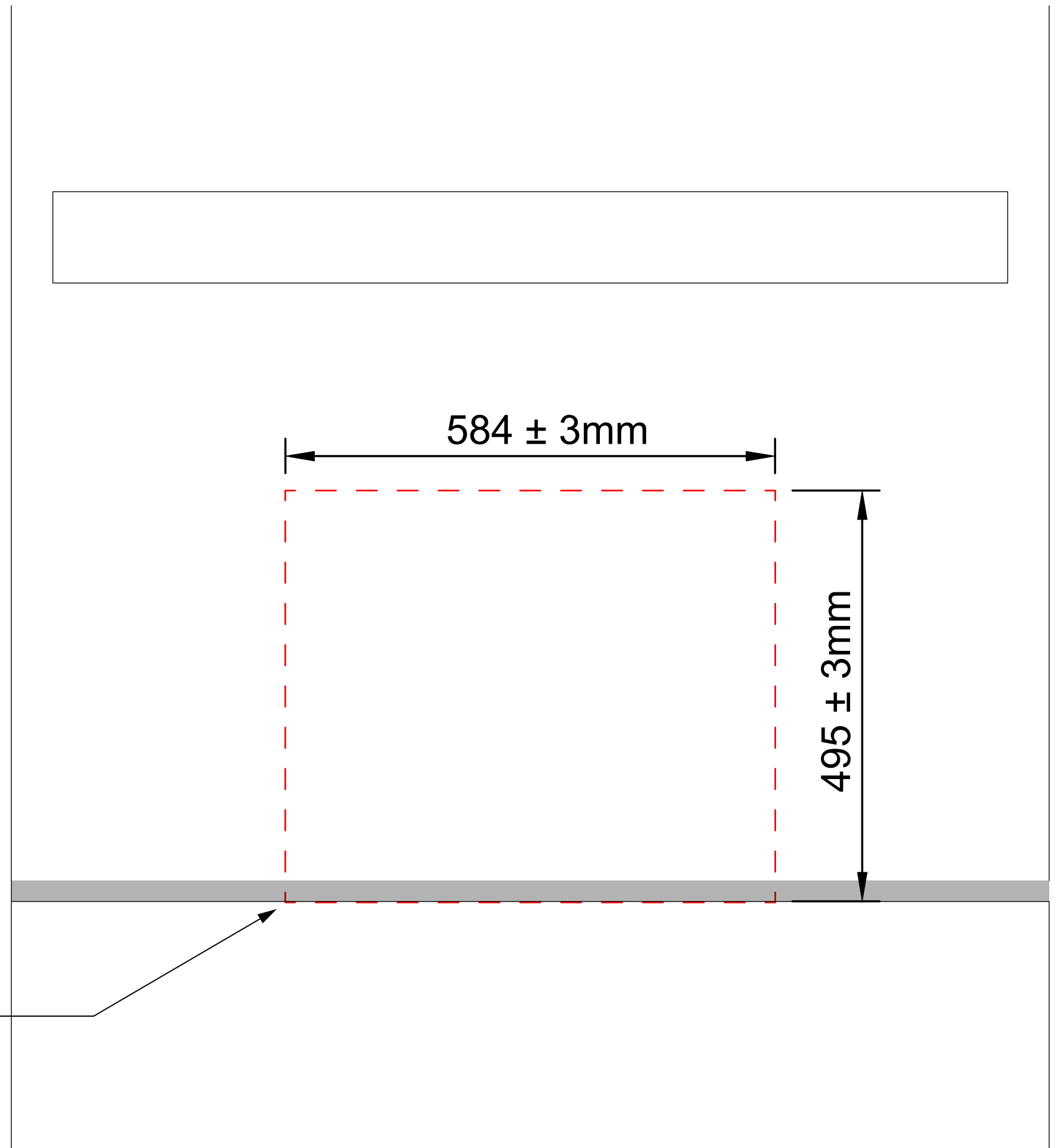
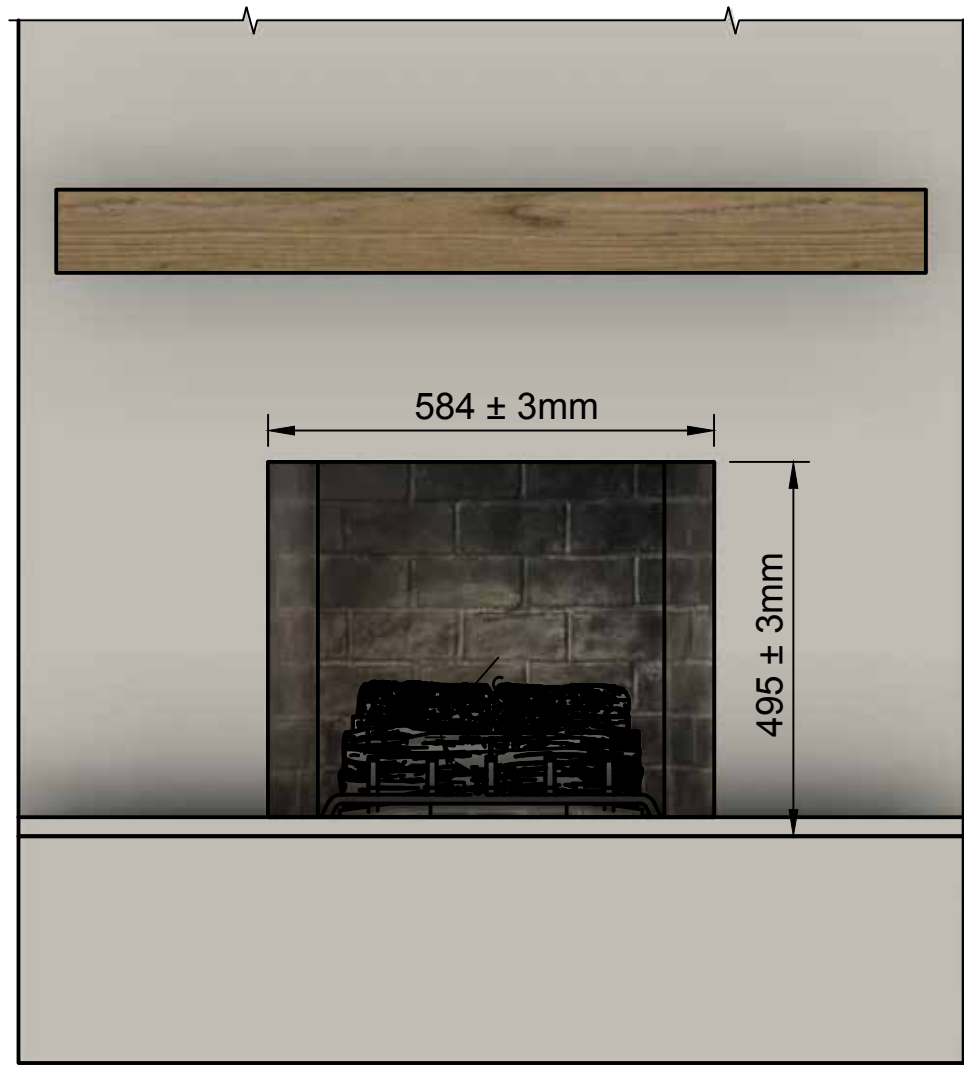


Side view



**Detail A (1:5)**  
Front ledge thickness

Unit of measure is mm

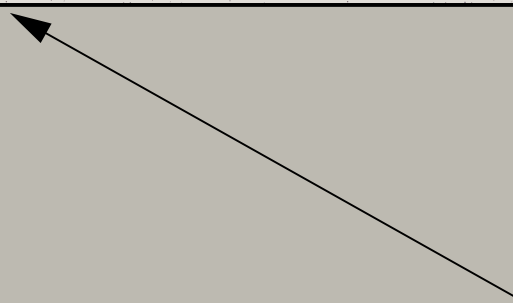


The cutout for the firebox starts below the front ledge.

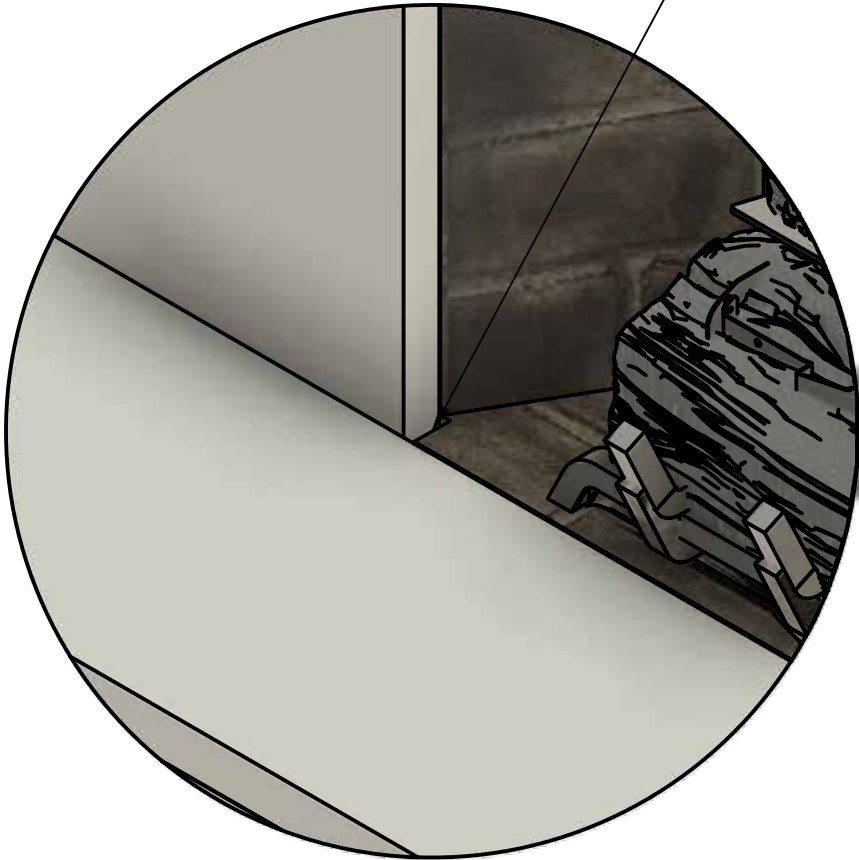
The height of the construction is variable.



It should reach up to the ceiling.



When building the wall, remember to take into account the front edge of the E621 Powerflame.



**Detail C (1:3)**

